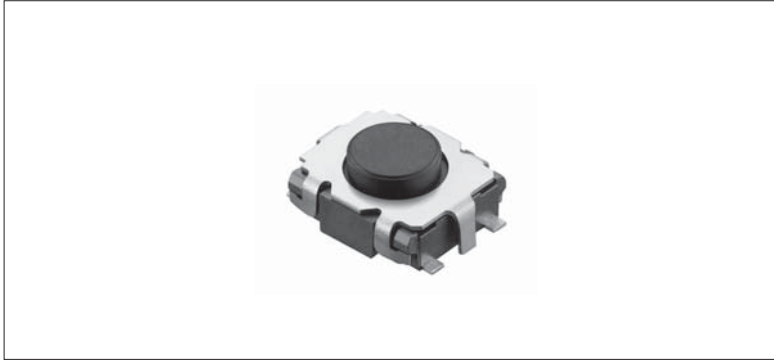


TACT Switch[™] High Operating Force and Long Life Type for Automotive Use



SKSG Series

High operating force of 4N, and long life of 200,000 cycles.



Features

- High operating force and compact size of 3×2.7×1.4mm(W×D×H).
- Achieves long life of 200,000 cycles.
- 1.6N type also available.
- Available for reflow soldering.

Applications

- Operation switch for remote key-less entry systems, car navigation systems, car AV equipment, etc.
- Operation switch for portable audio players, digital still cameras, game controllers, and other general purpose equipment(1.6N type).

Typical Specifications

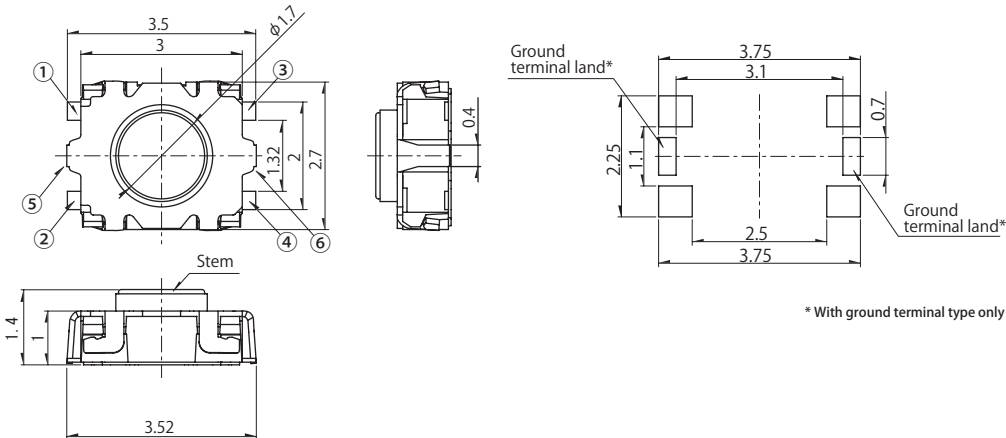
Items	Specifications
Operating force	4N/ 1.6N
Operating direction	Vertical
Travel	0.12mm
Rating(max.)	50mA 16V DC
Rating(min.)	10μA 1V DC
Operating life	200,000 cycles
Initial contact resistance	100mΩ max.

Dimensions

Circuit Diagram

Unit : mm

PC board land dimensions
(Viewed from switch mount face)



* With ground terminal type only

Precautions when handling our products

1. For the export of products which are controlled items subject to foreign and domestic export laws and regulations, you must obtain approval and/or follow the formalities of such laws and regulations.
2. Products must not be used for military and/or antisocial purposes such as terrorism, and shall not be supplied to any party intending to use the products for such purposes.
3. Unless provided otherwise, the products have been designed and manufactured for application in equipment and devices which are sold to end-users in the market, such as AV (audio visual) equipment, home electronic equipment, office and commercial electronic equipment, information and communication equipment or amusement equipment. The products are not intended for use in, and must not be used for, any application of nuclear equipment, driving control equipment for aerospace or any other unauthorized use.
With the exception of the above mentioned banned applications, for applications involving high levels of safety and liability such as medical equipment, burglar alarm equipment, disaster prevention equipment and undersea equipment, please contact an Alps sales representative and/or evaluate the total system on the applicability. Also, implement a fail-safe design, protection circuit, redundant circuit, malfunction protection and/or fire protection into the complete system for safety and reliability of the total system.
4. Before using products which were not specifically designed for use in automotive applications, please contact an Alps sales representative.

Cautions for using this catalog

1. The specifications herein are an overview of the specifications. Obtain official specifications before use.
2. The colors of the products in the catalog may slightly differ from those of the actual products.
3. The external appearance, functions and other specifications herein may be changed for improvement and other reasons without prior notice. Furthermore, the products herein may discontinue without prior notice.
4. TACT Switch is trademark or registered trademark of ALPS ELECTRIC CO.,Ltd.
5. All product names, company names and names of standards described in this catalog are trademarks or registered trademarks of their respective owners.
6. The contents of this catalog are according to Alps Electric as of February 2010.
7. This catalog is valid until the end of December 2010.

Inquiries about this product

Products Information Center
+81 (3) 5499-8154
Products Information Site
<http://www.alps.com/products/e/>

ALPS ELECTRIC CO., LTD.
1-7, Yukigaya-otsukamachi, Ota-ku, Tokyo, 145-8501, Japan